

SPI345M-60H SERIES

Mono PERC Large Half Cells 325-345W



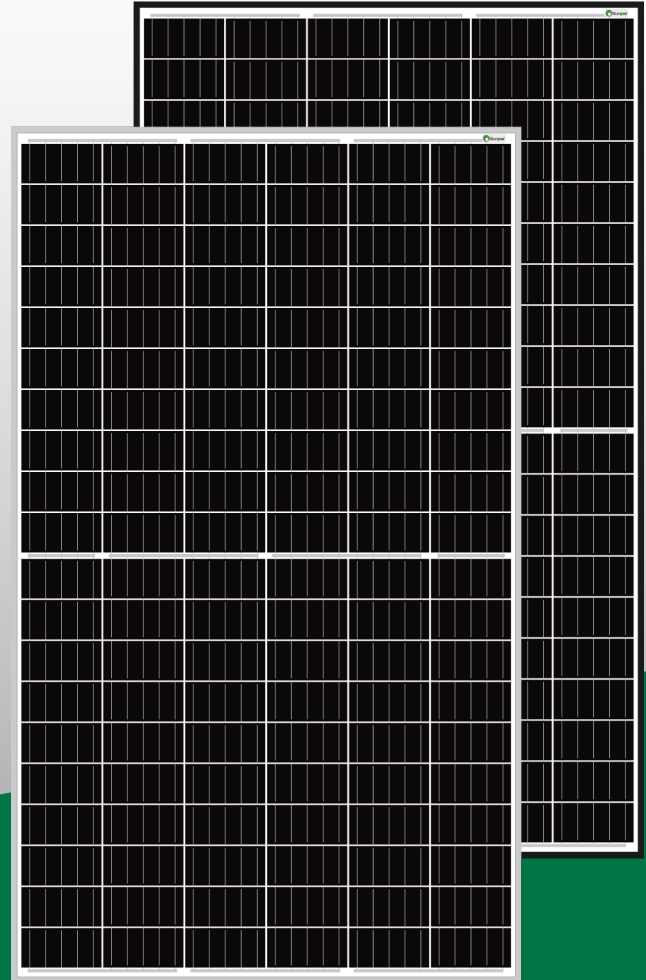
10-year product workmanship warranty



10-year guarantee for 90% rated power



25-year guarantee for 80% rated power



Half-cut cell technology

Lower cell connection power losses
Lower hot spot temperature risk



Long weather resistance

Excellent anti-PID(Potential Induced Degradation)
Certified in fireproofing for safety



Excellent power generation performance

Guaranteed 0~+5W positive rated power tolerance ensures more power generation every day



Lower temperature coefficient

Improved temperature coefficient decreases power loss in the high temperature application.



Low-light Performance

Advanced glass and solar cell surface texturing allow for excellent performance in low-light environments.



Stable mechanical performance

Passed rigorous hail test
Withstands 5400Pa snow and 2400Pa wind loads



ELECTRICAL DATA(STC)

Module	SP1xxxM-60H(XXX=325,330,335,340,345)				
Peak Power Watts(Pmax/W)	325	330	335	340	345
Power Output Tolerance(W)	0 ~ +5				
Maximum Power Voltage(Vmp/V)	33.6	33.8	34.0	34.2	34.4
Maximum Power Current(Imp/A)	9.68	9.77	9.87	9.96	10.04
Open Circuit Voltage(Voc/V)	41.1	41.3	41.5	41.7	41.9
Short Circuit Current(Isc/A)	10.20	10.31	10.36	10.55	10.64
Module Efficiency(%)	19.26	19.56	19.85	20.15	20.45

STC: Irradiance 1000W/m², Cell Temperature 25°C, Air Mass AM1.5.

*Measuring tolerance: ±3%.

ELECTRICAL DATA(NOCT)

Maximum Power(Pmax/W)	242	246	250	253	257
Maximum Power Voltage(Vmp)	31.6	31.8	32.0	32.2	32.4
Maximum Power Current(Imp)	7.66	7.74	7.82	7.86	7.94
Open Circuit Voltage(Voc)	38.0	38.2	38.4	38.6	38.8
Short Circuit Current(Isc)	8.54	8.65	8.74	8.66	8.97

NOCT: Irradiance 800W/m², Ambient Temperature 20°C, Wind Speed 1m/s.

MECHANICAL DATA

Solar Cells	Mono PERC 158.75×158.75mm
Cell Orientation	120 cells (6 × 20)
Module Dimensions	1684 × 1002 × 35 mm (66.30 × 39.45 × 1.38 inches)
Weight	19.0 kg (41.9 lbs)
Glass	3.2 mm (0.13 inches), High Transmission, AR Coated Tempered Glass
Backsheet	White
Frame	Silver / Black Anodized Aluminium Alloy
Junction Box	IP 67 rated
Cables	TÜV 1x4.0mm ² , (+) 290mm, (-) 145mm or Customized Length
Connector	MC4

TEMPERATURE RATINGS

NOCT (Nominal Operating Cell Temperature)	45°C (±2°C)
Temperature Coefficient of Pmax	- 0.36%/°C
Temperature Coefficient of Voc	- 0.289%/°C
Temperature Coefficient of Isc	+0.048%/°C

MAXIMUM RATINGS

Operational Temperature	-40~+85°C
Maximum System Voltage	1500V DC (IEC)
	1500V DC (UL)
Max Series Fuse Rating	20A

WARRANTY

10 year Product Workmanship Warranty

25 year Linear Power Warranty

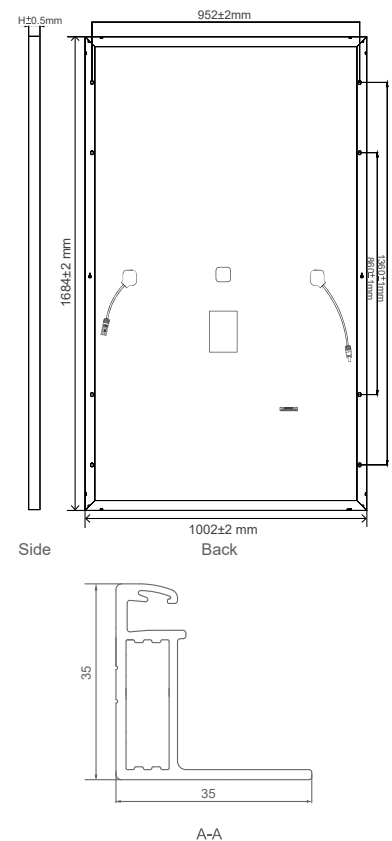
(Please refer to product warranty for details)

PACKAGING CONFIGURATION

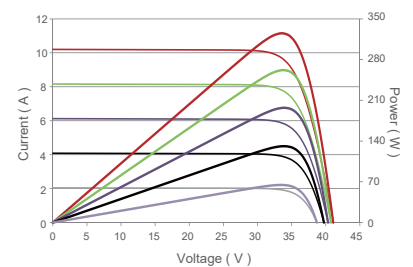
Modules per box: 30 pieces

Modules per 40' container: 780 pieces

DIMENSIONS OF PV MODULE(mm)



Current-Voltage & Power-Voltage Curves (325W)



Temperature Dependence of Isc, Voc, Pmax

